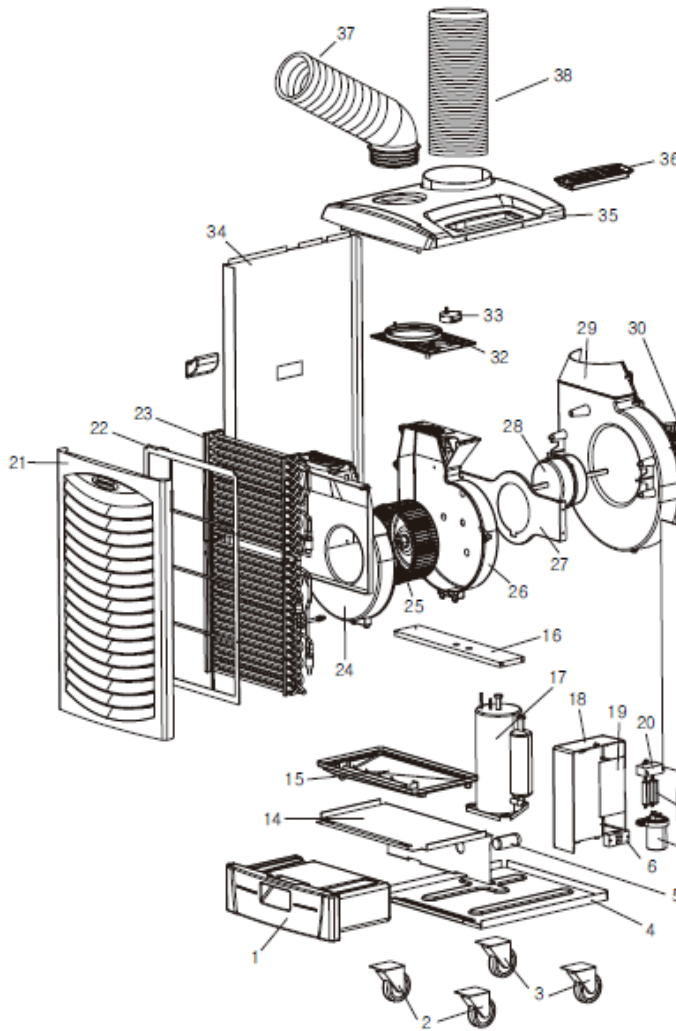


ASSEMBLY DRAWING



No.	Parts Name
1	Water Tank
2	Lockable Caster
3	Caster
4	Cabi base
5	Proximity sensor
6	Terminal Block
7	Capacitor comp
8	Fuse
9	Power Switch
10	Cabi Power Box
11	Handle
12	Cabi Right
13	Cabi back
14	Cabi water guard
15	Drain Panel
16	Cabi Blower Mounter
17	Compressor
18	Power Box
19	Main Control Board
20	Capacitor motor
21	Front Grille
22	Air Filter
23	Eva & Cond. Ass'y
24	Eva Blower Cover
25	Impeller CF
26	Eva Blower Body
27	Cabi motor bracket
28	Motor
29	Cond. Blower Body
30	Impeller CF 256pi
31	Cond. Blower Cover
32	Duct Mounter
33	Synchronous motor
34	Cabi Left
35	Top Cover
36	Front Controller
37	4.5" Cold-Air Nozzle Kit (optional)
38	7" Warm Air Nozzle Kit (optional)