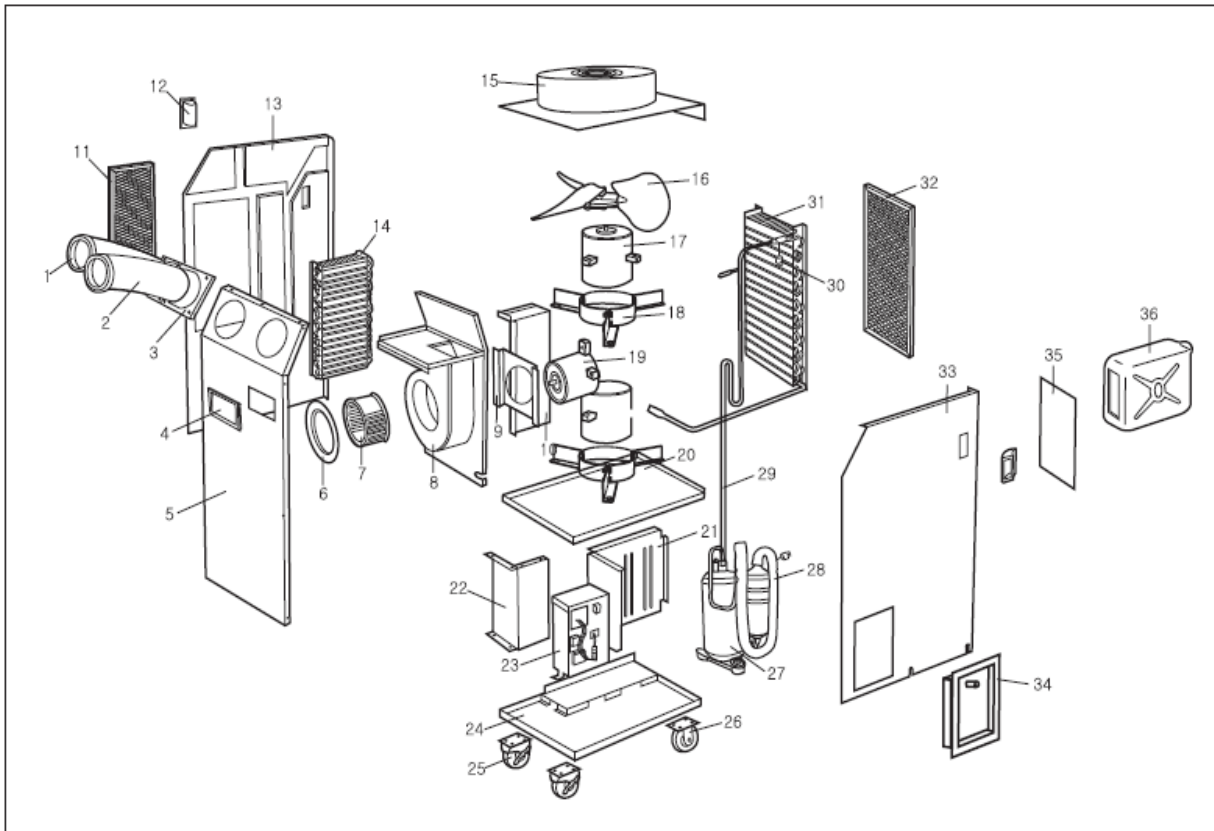


ASSEMBLY DRAWING & PART LIST HSC-24A



No.	Parts Name	
1	5" Trim Ring	5" Cold Air Nozzle Kit (optional)
2	DUCT (Length : 11,8inch)	
3	DAMPER BASE	
4	CONTROLLER ASS'Y	
5	CABI FRONT	
6	BELL MOUTH	
7	SIROCCO FAN	
8	DUCT BODY ASS'Y	
9	INDOOR MOTOR BRACKET	
10	EVA AIRGUARD	
11	FILTER EVA	
12	HANDLE	
13	CABI LEFT	
14	EVAPORATOR	
15	TOP PLATE	
16	PROPELLER	
17	MOTOR OUTDOOR	
18	OUTDOOR MOTOR BRACKET	

No.	Parts Name	
19	MOTOR INDOOR	
20	BOTTOM PLATE	
21	CABI SUPPORT-A	
22	CABI SUPPORT-C	
23	POWER BOX	
24	BASE ASS'Y	
25	LOCKABLE CASTER	
26	CASTER	
27	COMPRESSOR	
28	TUBE SUCTION	
29	TUBE DISCHARGE	
30	HIGH PRESSURE SWITCH	
31	CONDENSER	
32	FILTER CONDENSER	
33	CABI RIGHT	
34	POWER BOX COVER	
35	CABI BACK	
36	WATER TANK	