

PORTACOOOL HAZARDOUS LOCATION OWNER'S MANUAL

**PACHZ260AZ, PACHZ270AZ,
PACHZ260CZ, PACHZ270CZ**

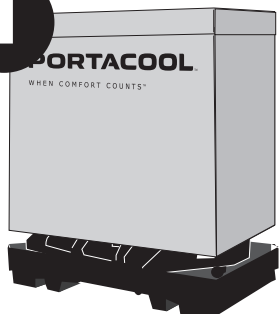


PORTACOOOL®

WHEN COMFORT COUNTS™

QUICK SETUP

1



Remove box and pallet

2



Position evaporative cooler on level surface

3



Fill reservoir or attach water hose

4

This product needs to be hardwired into an appropriate electrical outlet by a certified electrician.

Wire into an appropriate outlet

5

For setup, Kuul Comfort™ with FirePro Technology™ evaporative media should appear wet before starting the fan. Check the water gauge to monitor water level in tank. The water adjustment valve on each portable evaporative cooler is set at max flow. However, ensure the knob is turned completely to the right before use. Turn to the left to increase water flow. If entrainment occurs - water is spitting from the front of the product - use the valve to decrease the water flow until entrainment ceases.

Fill the tank, then turn on the pump switch and the fan

6

Your Portacool portable evaporative cooler is meant to be used in an open-air environment, such as a warehouse or large shop. If you plan to use your evaporative cooler in a more closed environment - such as a garage or small shop - you must provide adequate ambient airflow to ensure your evaporative cooler works at its highest efficiency. When using in a semi-closed environment, be sure to leave a door or window open to allow for the proper amount of airflow.

Ensure proper airflow is available

SAFETY

OPERATION WARNINGS

1. Not for use by children
2. Not for use by persons with reduced physical, sensory or mental capabilities
3. Not for use by persons who have not reviewed the owner's manual and familiarized themselves with the operation of the product

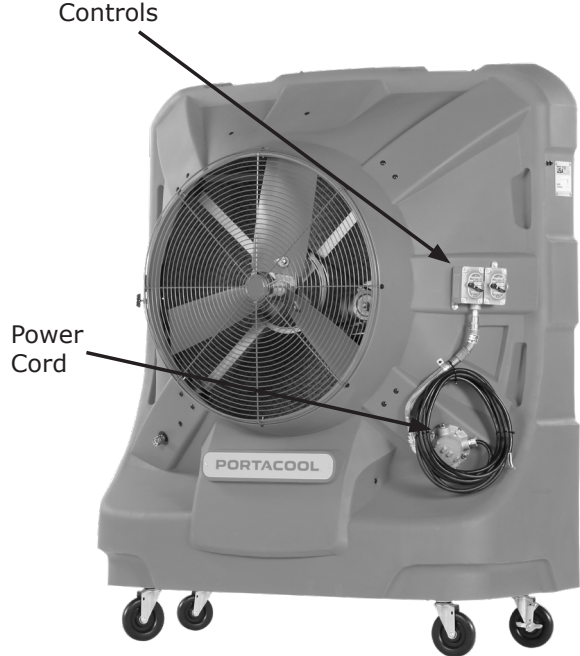
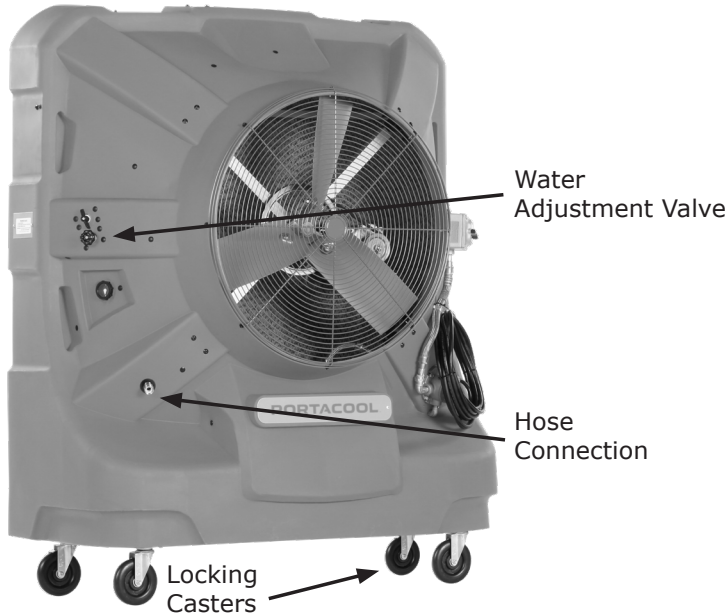
SAFE OPERATION

To reduce the risk of electric shock, fire or injury:

- Read the evaporative cooler's instructions, owner's manual and labels before operating.
- Do not operate evaporative cooler unless all Kuul® evaporative media is securely in place.
- Operation near open flames or sparks is not recommended.
- Keep product away from flames or sparks.
- If operating near open flame or sparks, ensure the pump is continuously running in order to saturate and wet Kuul evaporative media.
- Never wash the evaporative cooler's housing with a garden hose; water may harm the motor or electrical system.
- Do not operate any evaporative cooler with a damaged cord or plug.
- If the cord or plug become damaged in any way, entire cord should be replaced by a certified electrician, in accordance with these safety instructions.
- Any repairs to electrical components of Hazardous Location products must be performed by a licensed electrician certified to perform work in the location in which the product is being utilized or is otherwise in service. Any other maintenance or repairs to Hazardous Location products must be performed by qualified technicians who are trained in maintenance and repairs of equipment in the location in which the product is being utilized or is otherwise in service.
- **Replacement of component parts with parts which are not authorized Portacool replacement parts may impair this product's designation for use in Class I, Division 2, Groups C and D hazardous locations.**
- Do not run cord under carpeting. Do not cover cord with throw rugs, runners or similar coverings. Arrange cord away from traffic area so it will not be tripped over.
- Always unplug the electric cord to the evaporative cooler before performing inspections or repairs.
- Hardwire into outlet of appropriate current and voltage capacity.
- Do not step on or roll over power cord with heavy or sharp objects.
- Evaporative coolers should not be modified in any way other than repairs made by qualified individuals as defined herein with Portacool replacement parts.
- If the evaporative cooler is damaged or malfunctions, do not continue to operate it. Refer to the warranty, troubleshooting or FAQ sections of this Owner's Manual, call Portacool, LLC Customer Service at 1-888-266-5243, or email support@portacool.com

OVERVIEW

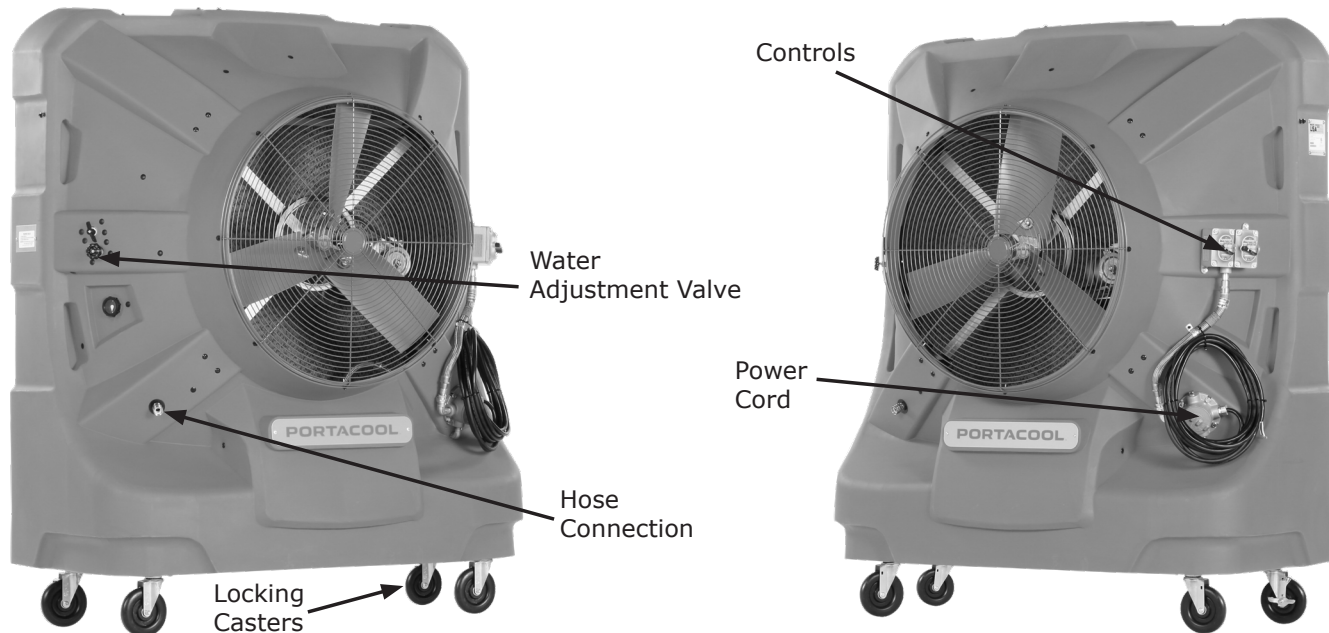
36" HAZARDOUS LOCATION - PACHZ260



This apparatus is suitable for use in Hazardous Locations designated as Class I, Division 2, Groups C and D.

OVERVIEW

48" HAZARDOUS LOCATION - PACHZ270



This apparatus is suitable for use in Hazardous Locations designated as Class I, Division 2, Groups C and D.

OPERATION

Electrical Connection

PRODUCT MUST BE IN UPRIGHT POSITION WITH KUUL® EVAPORATIVE MEDIA INSTALLED!

All models utilize a single power cord and control switches. Before connecting the plug to an outlet, ensure there is no standing water where the cord may lie or where the operator is standing. The use of separate multiple outlet devices is not recommended. When making electrical connections, ensure compliance to local and national codes. Use only with GFCI Protected Receptacles. Please refer to the Barcode Product Label on the side of the product for specific electrical requirements.

Kuul Comfort™ with FirePro Technology™

All models use Kuul Comfort with FirePro Technology evaporative media. FirePro Technology is made of flame retardant, inorganic materials fortified to provide you with the superior strength that is synonymous with Kuul® evaporative media. FirePro is designed to withstand the demands of even the toughest environment and meets strict UL 900 standards.

START UP

PLACEMENT

Make sure there is a clear, unobstructed path in front of the evaporative cooler to provide maximum airflow.

If the evaporative cooler is positioned on a raised platform, ensure the platform is stable, well constructed and will not allow the evaporative cooler to tip over. Ensure the platform is strong enough to hold the full weight of the evaporative cooler, including a reservoir full of water. The evaporative cooler must be level and in the upright position and the casters should be locked to prevent movement.

If placed near a wall or other obstruction, position the evaporative cooler a minimum of 3 feet (0.9 meters) from the wall or obstruction with the Kuul Comfort™ with FirePro Technology™ evaporative media facing the wall. This allows the unrestricted flow of warm air to the Kuul evaporative media. When using multiple evaporative coolers in close proximity, be sure to aim each evaporative cooler so the air flows complement each other to achieve maximum cooling capacity.

STARTING THE PUMP AND ADJUSTING THE WATER FLOW

Once the reservoir is full of water, turn the pump on. Please note that the hose connection must be connected to a pressurized water source before the pump may be primed. Open primer valve for three (3) seconds. Close primer valve. DO NOT leave primer valve open, as it could cause flooding. When initially turning on the pump, the water level in the reservoir will drop suddenly and restart the flow of supply water. This is a normal condition, as the Kuul evaporative media requires a large amount of water for proper wetting.

New evaporative media will require an initial 'breaking-in' period. This period is required for the Kuul evaporative media to begin readily absorbing water. It may require up to a week of use to achieve maximum efficiency.

It is important to ensure the water flow to the media is properly adjusted to lowest position when first starting the water flow in the evaporative cooler. Increasing the flow using the water adjustment valve (see Quick Setup in this manual) makes this adjustment. Proper water adjustment should leave the media saturated with water, but not flooded. Media should appear wet.

When turning the evaporative cooler off at the end of the day or week, the pump should be turned off about 15 minutes before the fan to allow the Kuul evaporative media to dry.

STARTING THE PORTACOOOL EVAPORATIVE COOLER

Before starting, make sure casters are in locked position. Start the fan by pushing the power lever into the on position.

MAINTENANCE

While the rugged, corrosion-resistant construction of the evaporative ensures low maintenance will be required, keeping your evaporative cooler clean will ensure it stays in peak operating condition.

DAILY MAINTENANCE

The pump should be turned off approximately 15 minutes before the fan is turned off, which allows the Kuul Comfort™ with FirePro Technology™ evaporative media to dry. Ensuring your Kuul evaporative media is dry at the end of the day not only extends its life, it also helps control the growth of mildew, mold, bacteria and other odor-causing elements.

WEEKLY MAINTENANCE

Your Portacool portable evaporative cooler should be shut down and the reservoir should be drained once a week. Closing the water adjustment valve and removing the drain plug will accomplish this. Once the reservoir is drained and the power disconnected, the Kuul evaporative media may be removed to allow cleaning of the reservoir, where dust may collect over time. Replace Kuul evaporative media in correct airflow direction, referring to the label on the Kuul evaporative media.

STORAGE

Drain all water from the reservoir and wipe the reservoir clean, ensuring the Kuul evaporative media and reservoir are dry.

Roll up the power cord and secure it to ensure it will not be rolled over, tripped over or caught in equipment.

Cover the evaporative cooler completely to prevent dust build-up and store in a dry area. This also helps to prevent damage to the Kuul evaporative media. Optional protective covers are available from your distributor or at www.portacoolparts.com.

WARRANTY

TECHNICAL SUPPORT

Technical support and service is available directly from your distributor or call Portacool, LLC Customer Service at 888-266-5243 for the distributor nearest you. You may also contact Portacool, LLC Customer Service for consultation on troubleshooting and parts replacement.

Please have serial number and model number of cooler available.

WARRANTY AND REPLACEMENT PARTS

PORTACOOTM EVAPORATIVE COOLER LIMITED WARRANTY

For one (1) year from date of purchase, Portacool, LLC (hereafter "Portacool") warrants any original component part or parts of its PortacoolTM portable evaporative coolers (the "Equipment") that are found, upon examination by factory-authorized personnel, to be defective in material or workmanship.

Notwithstanding anything herein to the contrary, Portacool warrants its Hazardous Location housings for the full lifetime of the products to the extent they are found, upon examination by factory-authorized personnel, to be defective in material or workmanship. The warranty on product housings is void if the housing is found upon examination by Portacool to have been misused, abused or otherwise tampered with by unqualified personnel. The warranty on product housings does not cover ordinary wear and tear and is non-transferable.

If the Equipment and/or its original component parts, develop a defect covered by this limited warranty within the applicable time periods described above, the same may be repaired by the customer after receiving the appropriate parts from Portacool or entirely replaced with a new product of the same by Portacool at the option of Portacool.

All transportation charges for shipment of the Equipment and/or its component parts that are submitted for replacement or repair under this warranty must be borne by the purchaser.

This warranty is void if: i) the Equipment and/or its component parts are found to have been misused, abused, repaired by or tampered with by unqualified personnel; ii) any of the product's component parts have been replaced with parts that were not authorized Portacool replacement parts; iii) the product has been modified in any way (other than repairs made by qualified individuals with Portacool replacement parts as specifically set forth in this Owner's Manual); iv) the product has not been appropriately registered by its original purchaser; or v) the customer cannot show proof of purchase as the product's original owner.

PORTACOOTM LIMITATION OF LIABILITY

IN THE CASE OF A BREACH OF ANY IMPLIED OR WRITTEN WARRANTY RELATING TO THE EQUIPMENT AND/OR ITS COMPONENT PARTS, PORTACOOTM SHALL NOT BE LIABLE FOR ANY INCIDENTAL OR CONSEQUENTIAL DAMAGES, AND THE LIMITS OF LIABILITY AGAINST PORTACOOTM FOR ANY SUCH BREACH SHALL NOT EXCEED THE COST OF REPLACEMENT OR REPAIR OF THE EQUIPMENT.

TROUBLESHOOT

Turn off all power to your evaporative cooler before attempting to troubleshoot any of the following symptoms. For problems not listed, please contact Customer Service.

SYMPTOM	POSSIBLE CAUSES	REMEDY
Evaporative cooler fails to start or deliver air	<ol style="list-style-type: none"> 1. No electricity to the evaporative cooler <ol style="list-style-type: none"> A. Circuit breaker tripped B. Cord(s) unplugged or damaged 2. Motor overheated and/or frozen 	<ol style="list-style-type: none"> 1. Check power <ol style="list-style-type: none"> A. Reset breaker* B. Plug in cord(s) or replace if damaged* 2. Replace motor*
Evaporative cooler starts, but air delivery is inadequate	<ol style="list-style-type: none"> 1. Insufficient air exhaust 2. Insufficient water–Kuul® evaporative media not wet <ol style="list-style-type: none"> A. Kuul evaporative media plugged B. Dry streaks on Kuul evaporative media C. Large dry spots on Kuul evaporative media D. Pump not working E. Loose water connections 	<ol style="list-style-type: none"> 1. Open windows or doors 2. Check water distribution system <ol style="list-style-type: none"> A. Clean or replace evaporative media* B. Check water level C. Make sure evaporative cooler is level, clean spray bar D. Clean or replace pump* E. Check for leaks and correct*
Knocking, shaking, or rattling sounds	<ol style="list-style-type: none"> 1. Loose parts 2. Fan blade rubbing shroud 	<ol style="list-style-type: none"> 1. Check and tighten where needed* 2. Inspect and adjust, or replace fan blade*

** These remedies should be undertaken by qualified personnel only as more specifically described in the safety section of this owner's manual.*

TROUBLESHOOT

SYMPTOM	POSSIBLE CAUSES	REMEDY
Musty or unpleasant odor	<ol style="list-style-type: none">1. Stale or stagnant water in tank2. Kuul® evaporative media is mildewed or clogged	<ol style="list-style-type: none">1. Drain, flush and clean tank2. Replace Kuul evaporative media*
Water droplets in the air stream	<ol style="list-style-type: none">1. Too much water delivered to Kuul evaporative media2. Leaking hose	<ol style="list-style-type: none">1. Make sure Kuul evaporative media is properly positioned in the frames and evaporative cooler is level2. Tighten connection or replace hose*

** These remedies should be undertaken by qualified personnel only as more specifically described in the safety section of this owner's manual.*

FAQ

Q. What assembly is required?

A. None. Your Portacool portable evaporative cooler is ready to use right out of the box.

Q. How do I prepare my Portacool portable evaporative cooler for storage?

A. Drain the evaporative cooler, wipe out the tank to ensure it is dry and clean, dry out the Kuul Comfort™ with FirePro Technology™ evaporative media, cover the evaporative cooler, and store in a dry place.

Q. I ran my evaporative cooler for the first time and there is an unpleasant odor!

A. Our unique design and manufacturing technique, together with our superior materials, enable our products to perform efficiently within a wide range of conditions. When installed correctly, our evaporative media products allow complete molecular evaporation of water ensuring a pure, clean stream of air. When new, it is possible that a small amount of aromatic molecules may evaporate along with the water molecules, which could be detected as a slight smell. This scent lessens in time. Our product does not, in any way, allow harmful chemicals to be evaporated into the air stream.

Q. My Portacool portable evaporative cooler isn't putting out cool air.

A. First, make sure the water source and electricity source are connected and working. Second, check to see if the Kuul evaporative media is damp. If not, adjust the water flow with the water adjustment valve. Third, make sure there is water in the tank. It should be allowed to fill before you turn the pump on.

Q. What is the best environment to product the most cool air from my Portacool portable evaporative cooler?

A. For optimum performance, the temperature should be 85° F or higher and the relative humidity should be below 75%. However, Portacool portable evaporative coolers will reduce the temperature in almost any environment, making it more pleasant.

Q. How often does the Kuul evaporative media need to be replaced in my evaporative cooler?

A. Depending on the quality of maintenance, water quality and frequency of use, Kuul evaporative media typically lasts up to five years.

Q. What is the difference between evaporative cooler and misting systems?

A. Misting systems spray a shower of water into the air that collects on people, objects, equipment, floors, etc. Portacool portable evaporative coolers use the process of evaporation to produce cooler air, but do not discharge a mist.

FAQ

Q. What amount of moisture is added to the air by my evaporative cooler?

A. An increase in humidity of approximately two to five percent is produced, depending on the temperature and humidity of the environment. This increase is not noticeable in a ventilated area where the air produced by the cooler is exhausted.

Q. How long will the water supply last in my evaporative cooler's tank?

A. With no direct water source available, the water will evaporate in a filled tank within two to 10 hours of operation, depending on the water capacity of the evaporative cooler, ambient conditions, temperature and humidity. A water source for refilling the tank is recommended by the manufacturer.

Q. Where are the model and serial numbers found?

A. The model number can be found on a metal plate on the outside of the cooler. Model numbers begin with the letters "PAC." Serial numbers are all-digits.

Q. What if my question is not answered here?

A. Our U.S.-based Customer Service staff is available 8 a.m. to 5 p.m. Central Time, Monday through Friday at 1-800-695-2942 or you can e-mail them at support@portacool.com.

HOW TO REPLACE YOUR KUUL® EVAPORATIVE MEDIA*

** Replacement of evaporative media should be undertaken by qualified personnel only, as set forth in the safety section of this owner's manual.*

Step 1

Be sure to disconnect your Portacool portable evaporative cooler from electricity before doing any maintenance. Lock the casters to keep your evaporative cooler from moving while you are working. Remove the flap and Kuul evaporative media from the evaporative cooler. The flap is attached at the top of the evaporative cooler with three screws. Remove the three screws and set the flap aside.

Step 2

All Kuul evaporative media must be removed before accessing the inside of the evaporative cooler. Remove the center set of Kuul evaporative media first by grasping at the top and tilting it out and away from the evaporative cooler. While tilting the Kuul evaporative media out, lift it up and out of the evaporative cooler.

Step 3

Remove remaining Kuul evaporative media in the same manner. Set aside in a safe place to prevent damage while out of the evaporative cooler. Once all the Kuul evaporative media has been removed, you should have access to the inside of the evaporative cooler and internal components.

PORTACOOOL PROTECT

Portacool, LLC is proud to provide world-class service and support. Portacool Protect™ brings together our commitment to service and support in the form of best-in-class warranties, service programs, technical support and live customer service to provide our customers with an ownership experience that is second to none.

For complete warranty information and limitations, please see Warranty page. Beyond these aspects of Portacool Protect™, we ask that you not hesitate to contact us with any additional questions or comments you might have. For more than 25 years, we have built our business on service and support. We look forward to speaking with you.

PORTACOOOL™

WHEN COMFORT COUNTS™

CUSTOMER SERVICE CONTACT

1-936-598-5651 ★ 1-800-695-2942
SUPPORT@PORTACOOOL.COM

TECHNICAL/PARTS CONTACT

1-936-598-5651 ★ 1-800-695-2942
SUPPORT@PORTACOOOL.COM

VISIT PORTACOOOL.COM
OR CALL 1-936-598-5651
FOR MORE INFORMATION

Portacool, LLC • Manufacturer of Portacool™
portable evaporative coolers and
Kuul® evaporative media
711 FM 2468 • Center, Texas 75935 • 936-598-5651
www.portacool.com • www.theKuuleffect.com

The manual is available in other languages.
To download a digital copy, please visit
www.portacool.com.

El manual está disponible en otros idiomas.
Para descargar una copia digital, por favor
visite www.portacool.com.

Le manuel est disponible en d'autres langues.
Pour télécharger une copie numérique, se il
vous plaît visitez www.portacool.com.

MANR0014
June 2018

REGISTER YOUR PRODUCT AT WWW.PORTACOOOL.COM